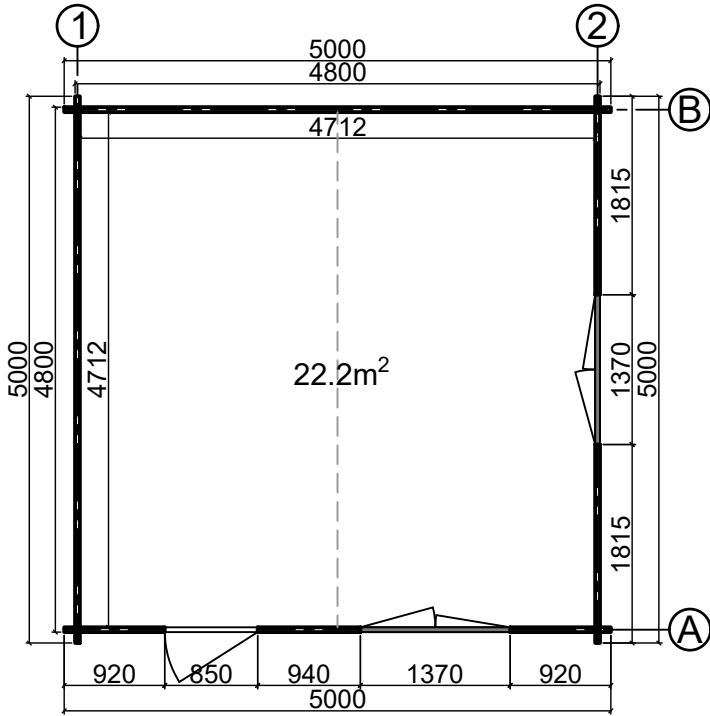
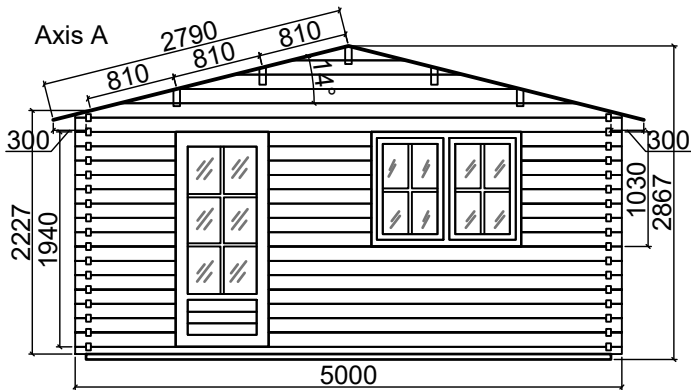
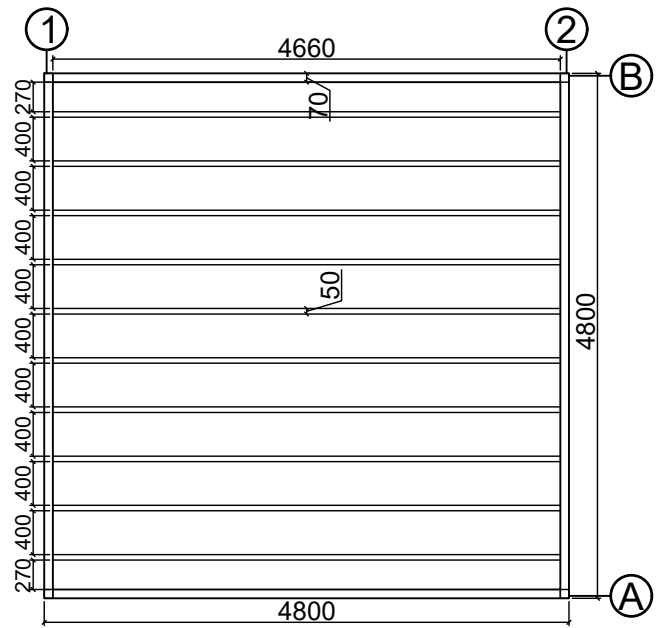


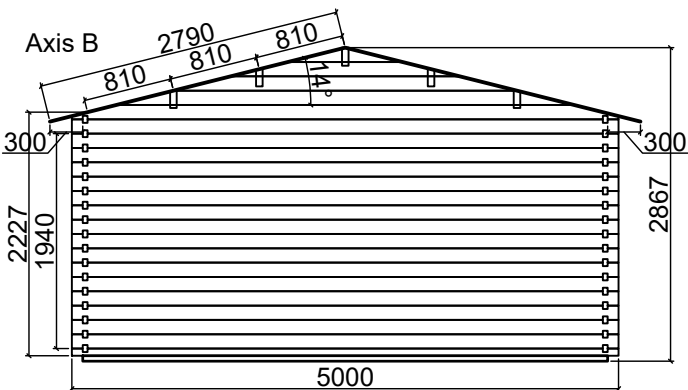
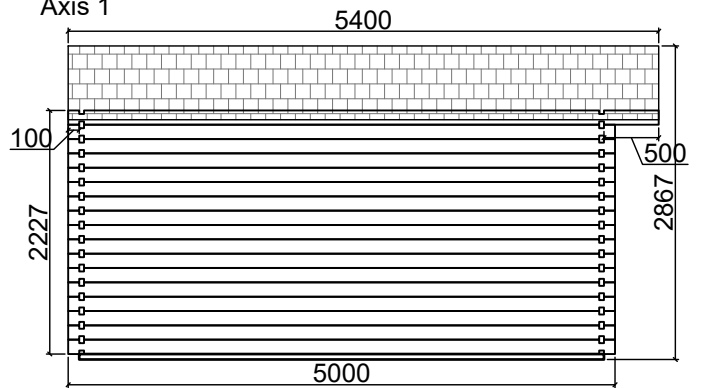
Floor plan



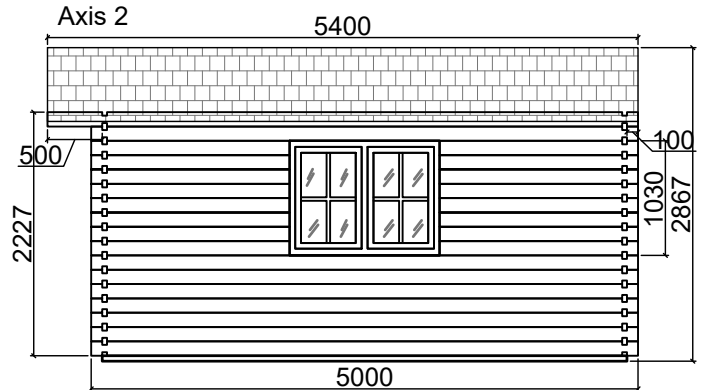
Base plan



Axis 1



Axis 2



CODE	P1	W3
SIZE/mm	850x1940	1370x1030
QUANTITY	1	2
LEFT/RIGHT	0/1	0/2

CABIN SPECIFICATION

WALL LOG:	44mm
SIZE (m):	5x5
SIDE WALL HEIGHT :	2227 mm
RIDGE HEIGHT:	2867 mm
FLOOR AREA m ² :	22.2
ROOF AREA m ² :	30.13
FLOOR BOARDS mm:	19