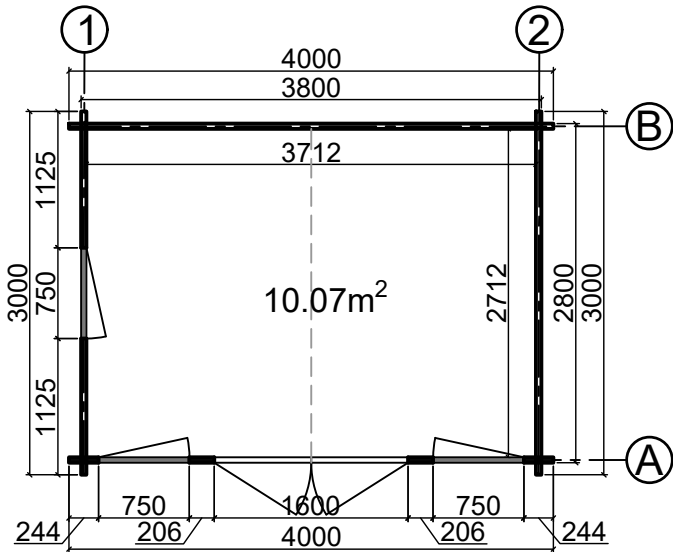
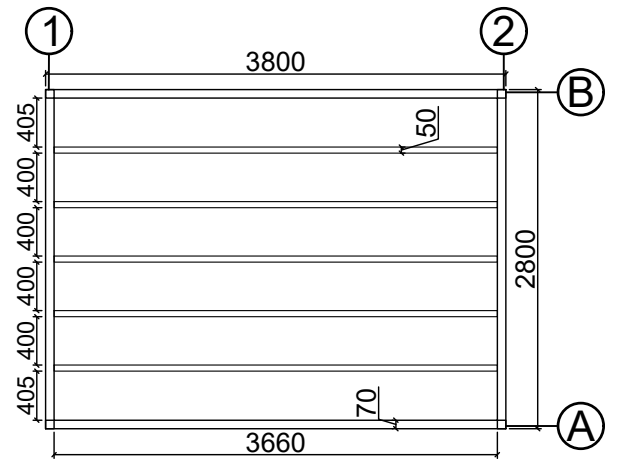


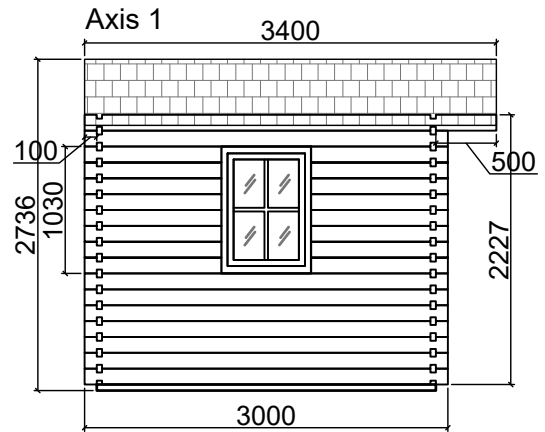
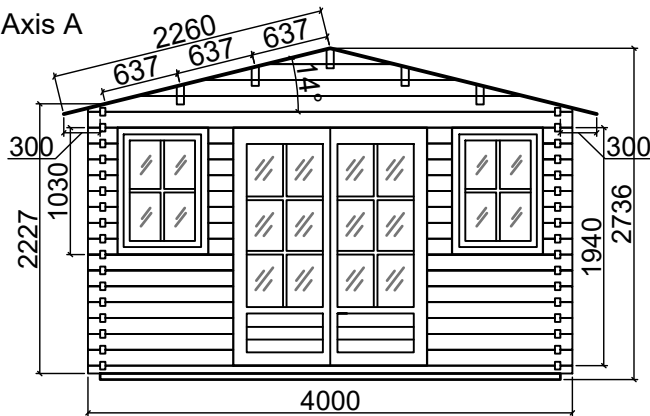
Floor plan



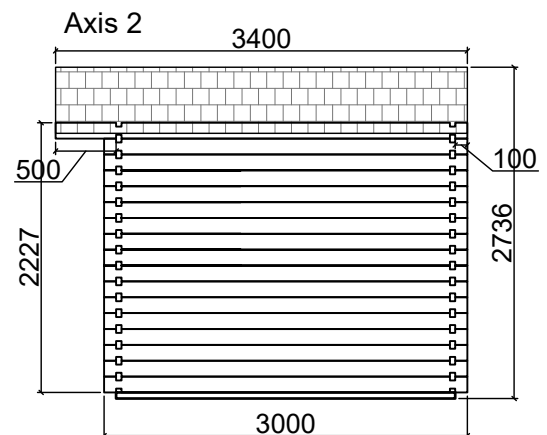
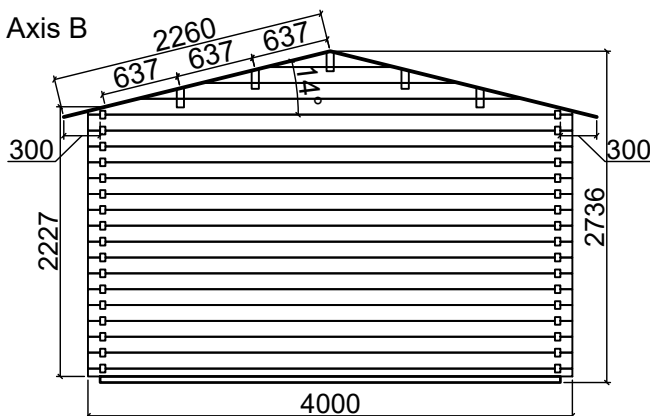
Base plan





Axis A



Axis B



		
CODE	<b>P3</b>	<b>W1</b>
SIZE/mm	1600x1940	750x1030
QUANTITY	<b>1</b>	<b>3</b>
LEFT/RIGHT	<b>0/1</b>	<b>1/2</b>

### CABIN SPECIFICATION

WALL LOG:	44mm
SIZE (m):	4x3
SIDE WALL HEIGHT :	2227 mm
RIDGE HEIGHT:	2736 mm
FLOOR AREA m <sup>2</sup> :	10.07
ROOF AREA m <sup>2</sup> :	15.37
FLOOR BOARDS mm:	19