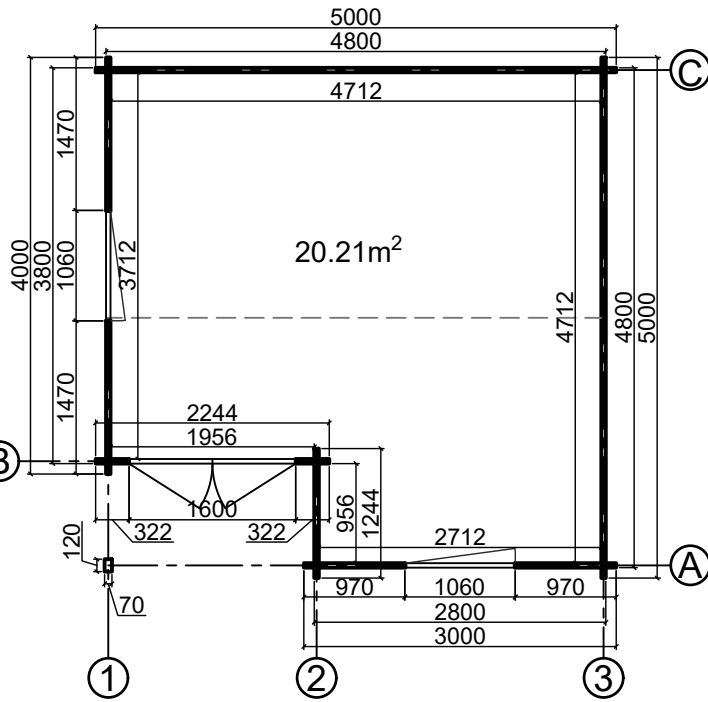
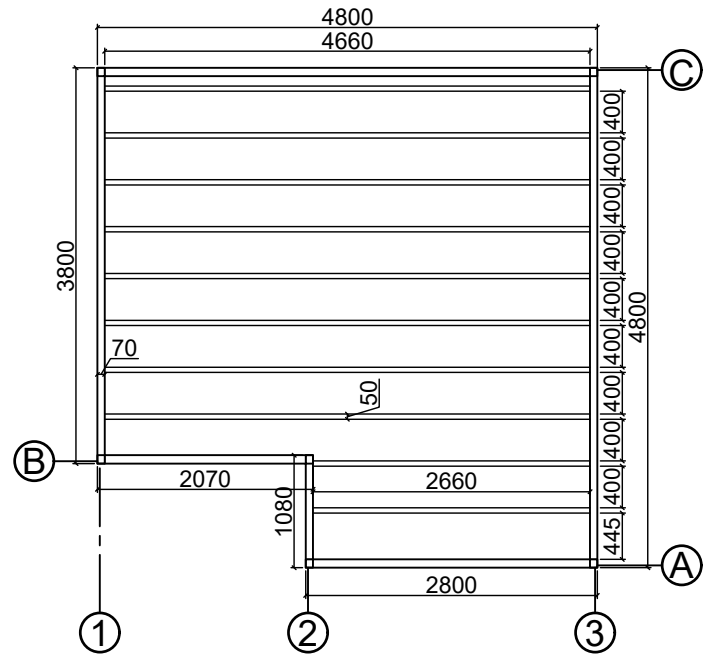


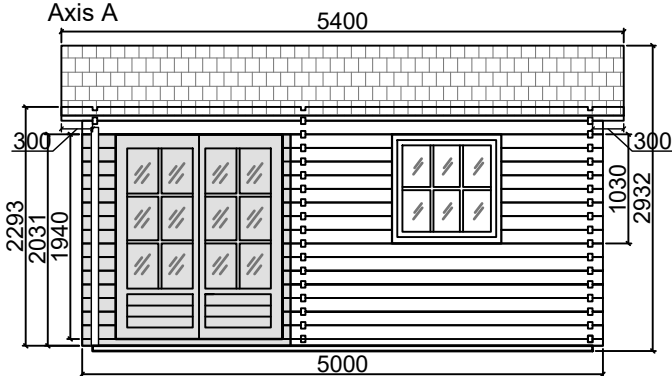
Floor plan



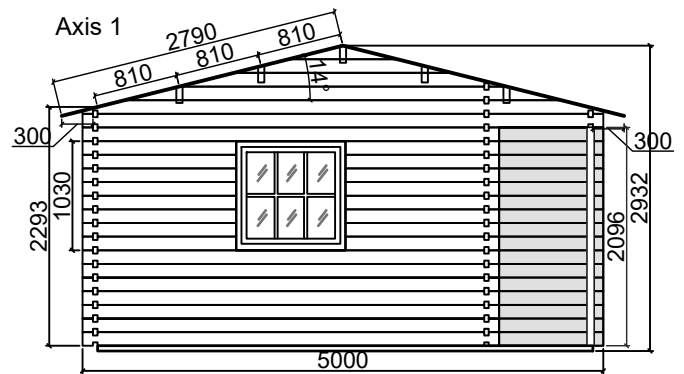
Base plan



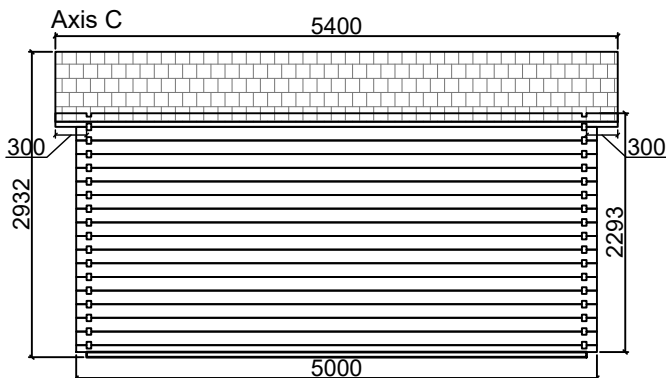
Axis A



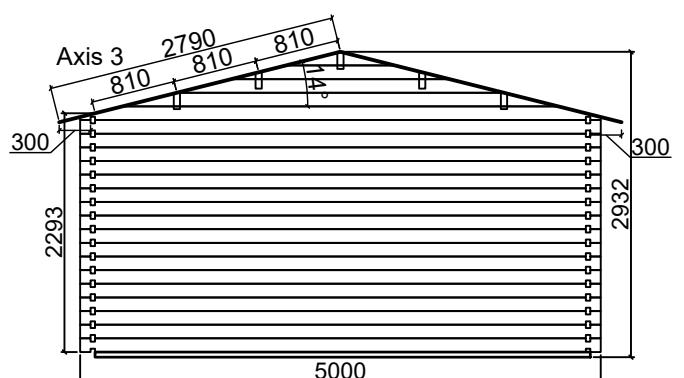
Axis 1





Axis C



Axis 3



		
CODE	<b>P3</b>	<b>W2</b>
SIZE/mm	1600x1940	1060x1030
QUANTITY	<b>1</b>	<b>2</b>
LEFT/RIGHT	<b>0/1</b>	<b>0/2</b>

### CABIN SPECIFICATION

WALL LOG:	44mm
SIZE (m):	5x5
SIDE WALL HEIGHT :	2293 mm
RIDGE HEIGHT:	2932 mm
FLOOR AREA m <sup>2</sup> :	20.21
ROOF AREA m <sup>2</sup> :	30.13
FLOOR BOARDS mm:	19