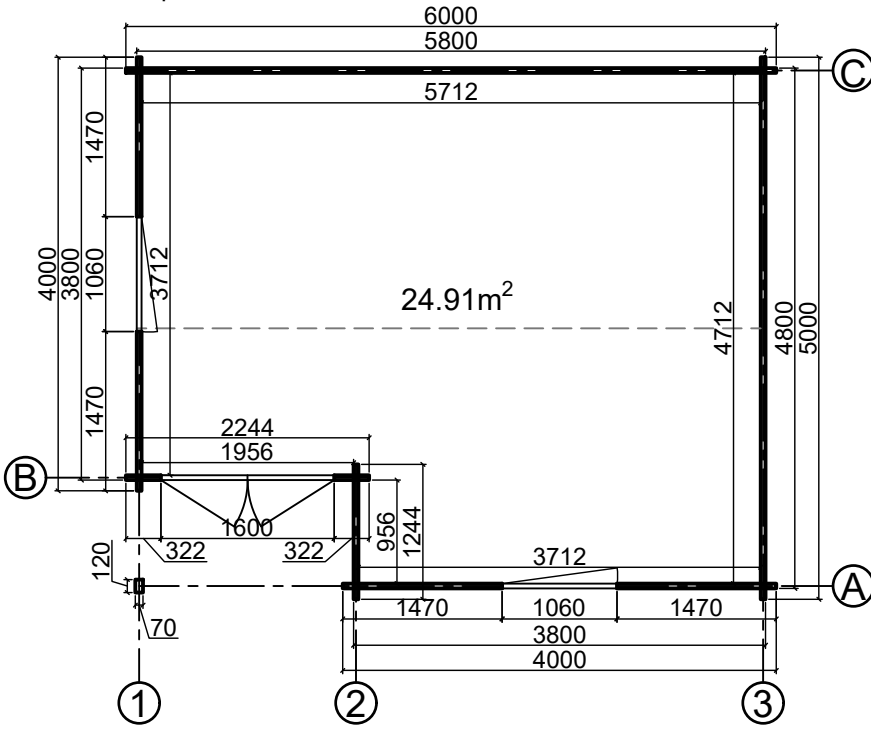
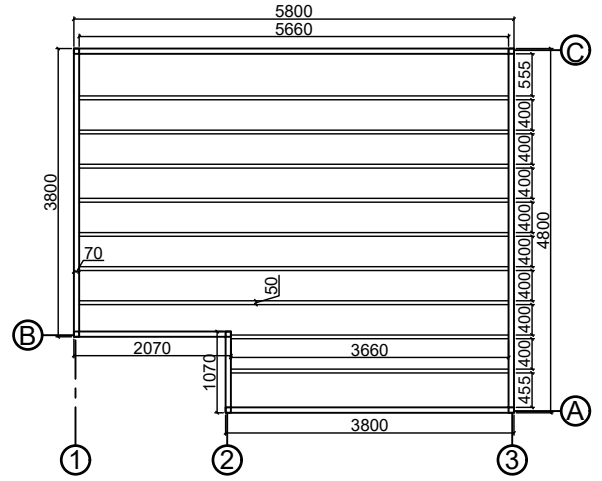


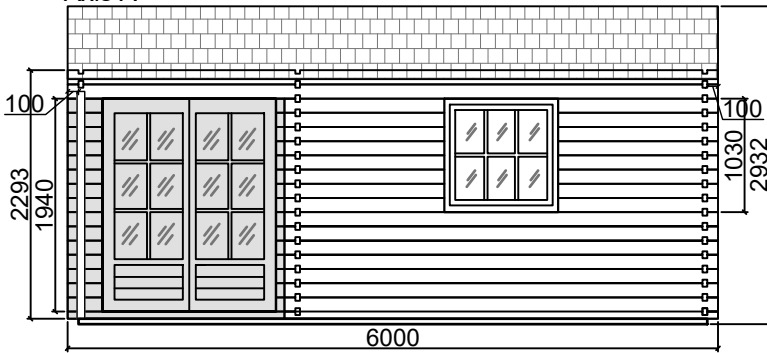
Floor plan



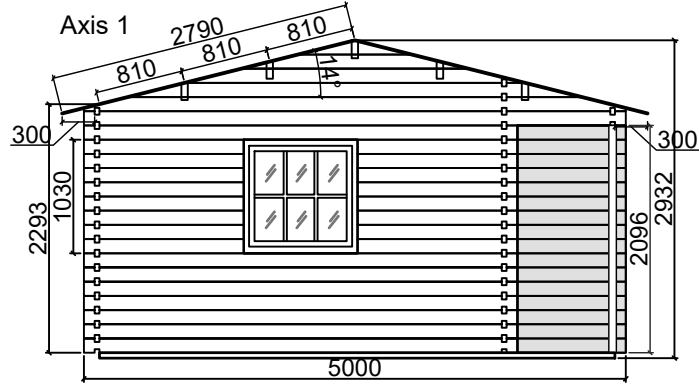
Base plan



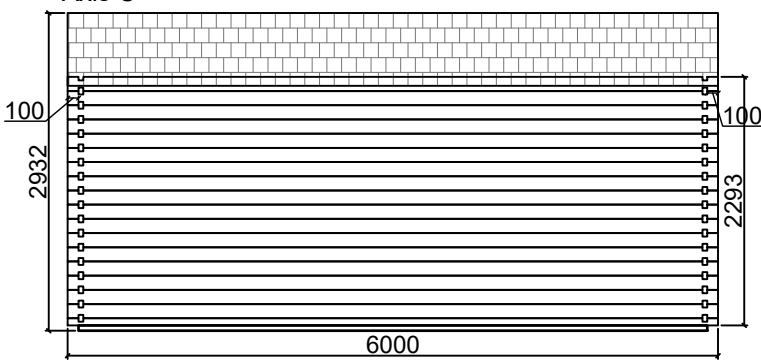
Axis A



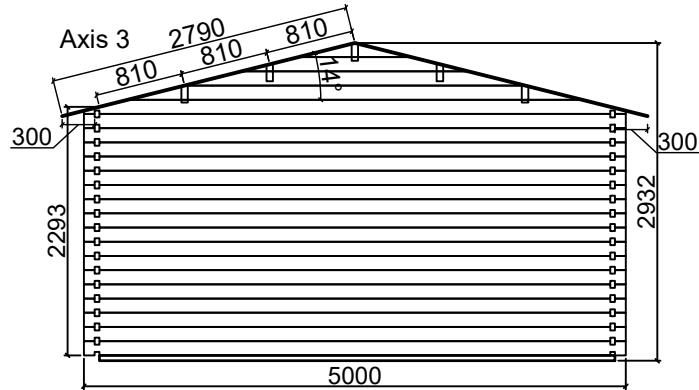
Axis 1

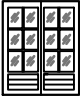



Axis C



Axis 3



		
CODE	P3	W2
SIZE/mm	1600x1940	1060x1030
QUANTITY	1	2
LEFT/RIGHT	0/1	0/2

CABIN SPECIFICATION

WALL LOG:	44mm
SIZE (m):	6x5
SIDE WALL HEIGHT :	2293 mm
RIDGE HEIGHT:	2932 mm
FLOOR AREA m ² :	24.91
ROOF AREA m ² :	33.48
FLOOR BOARDS mm:	19