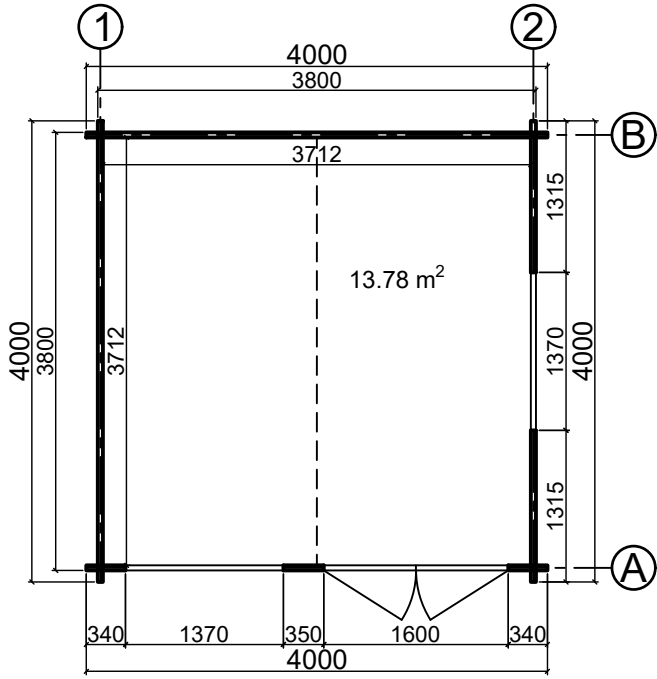
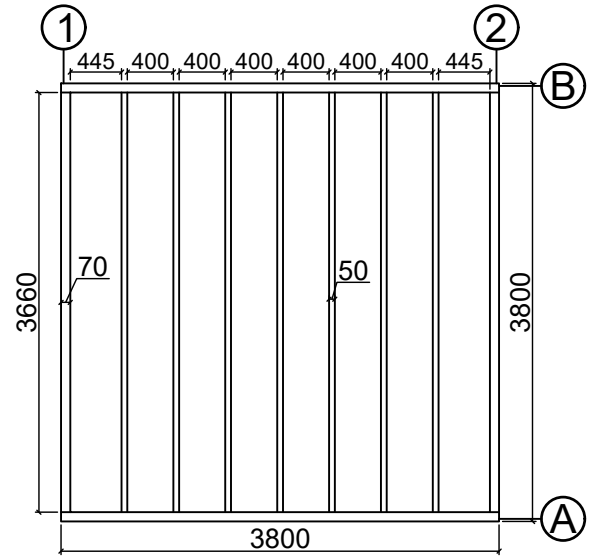


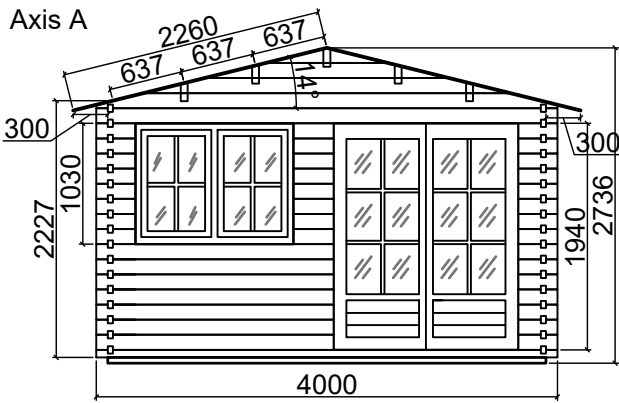
Floor plan



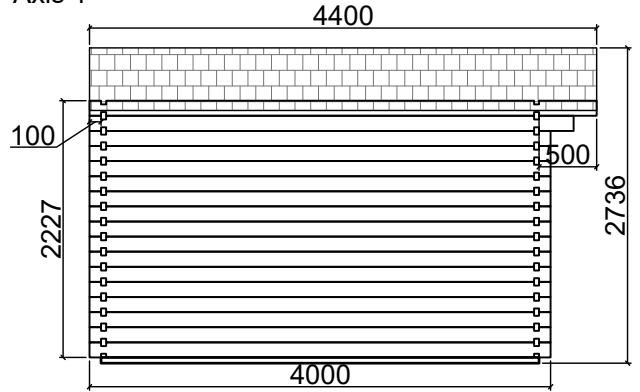
Base plan



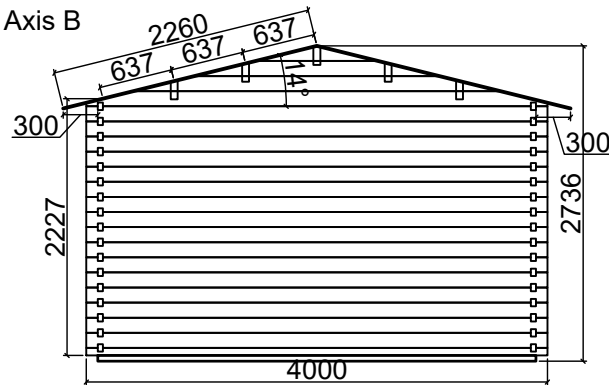
Axis A



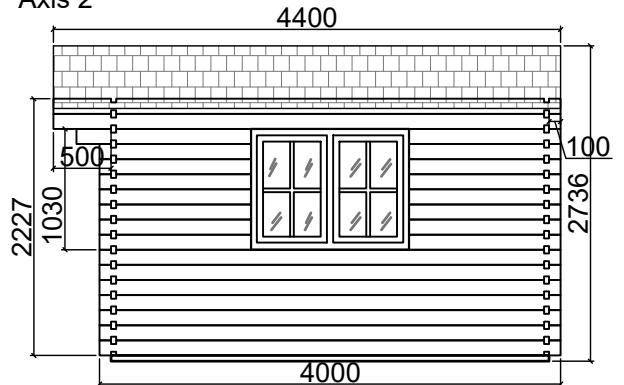
Axis 1


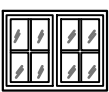


Axis B



Axis 2



		
CODE	P3	W3
SIZE/mm	1600x1940	1370x1030
QUANTITY	1	2
LEFT/RIGHT	0/1	0/2

CABIN SPECIFICATION

WALL LOG:	44mm
SIZE (m):	4x4
SIDE WALL HEIGHT :	2227mm
RIDGE HEIGHT:	2736mm
FLOOR AREA m ² :	13.78
ROOF AREA m ² :	19.89
FLOOR BOARDS mm:	19