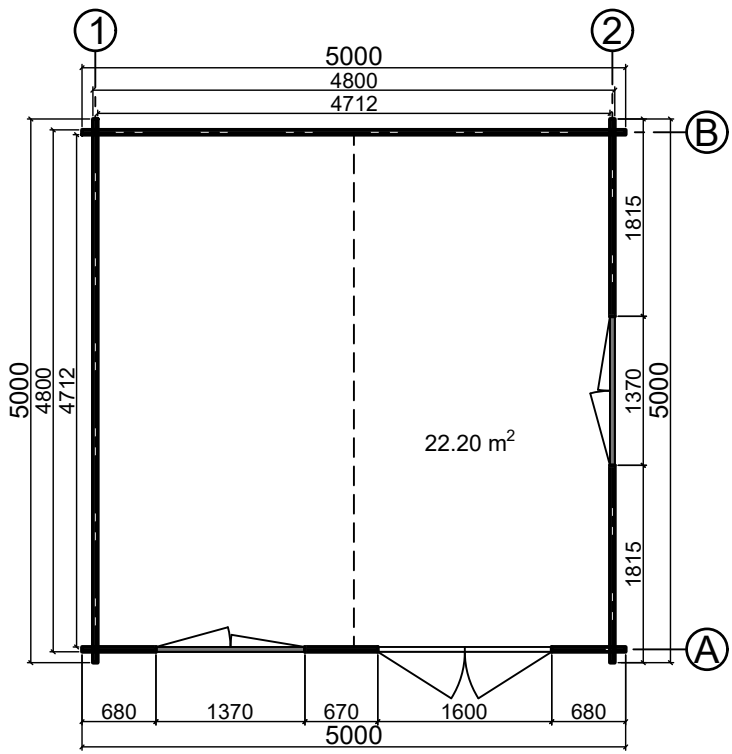
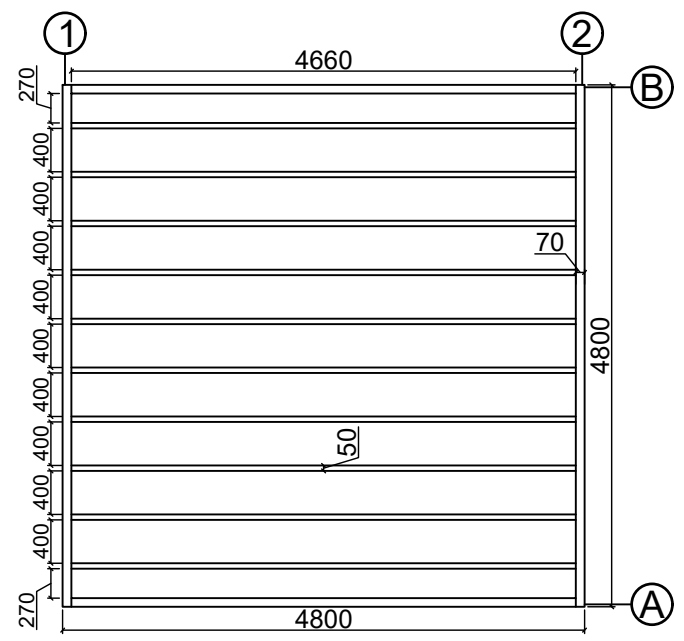


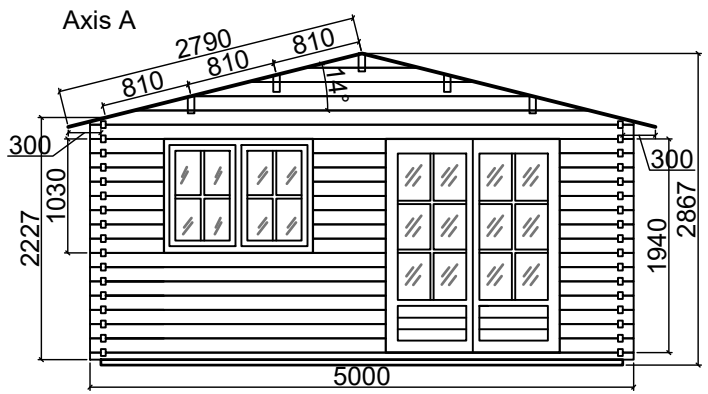
Floor plan



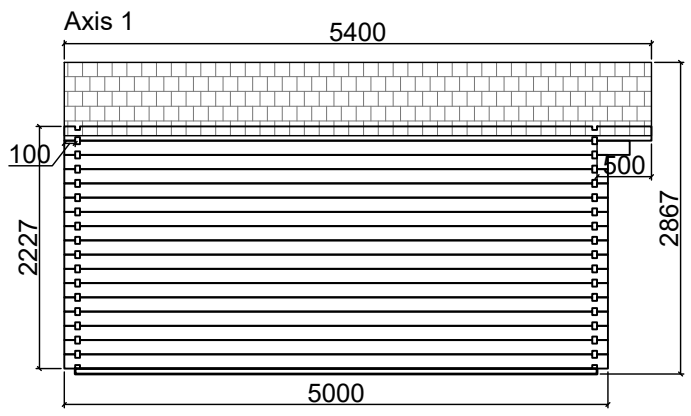
Base plan



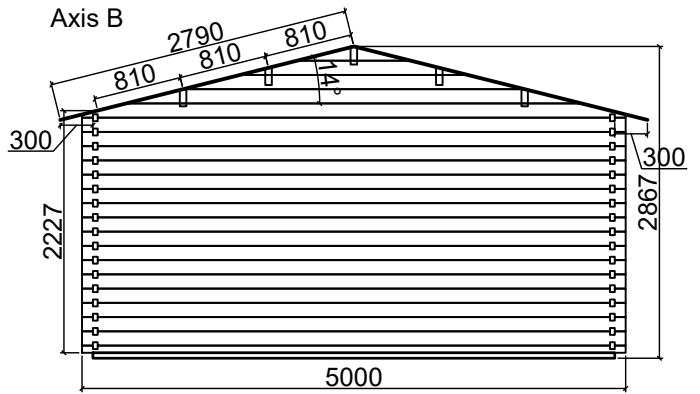
Axis A



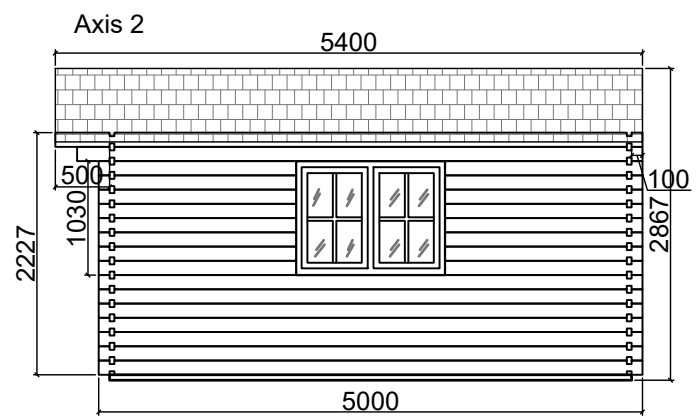
Axis 1



Axis B



Axis 2



CODE	P3	W3
SIZE/mm	1600x1940	1370x1030
QUANTITY	1	2
LEFT/RIGHT	0/1	0/2

CABIN SPECIFICATION

- WALL LOG: 44mm
- SIZE (m): 5x5
- SIDE WALL HEIGHT : 2227mm
- RIDGE HEIGHT: 2867 mm
- FLOOR AREA m²: 22.2
- ROOF AREA m²: 30.13
- FLOOR BOARDS mm: 19