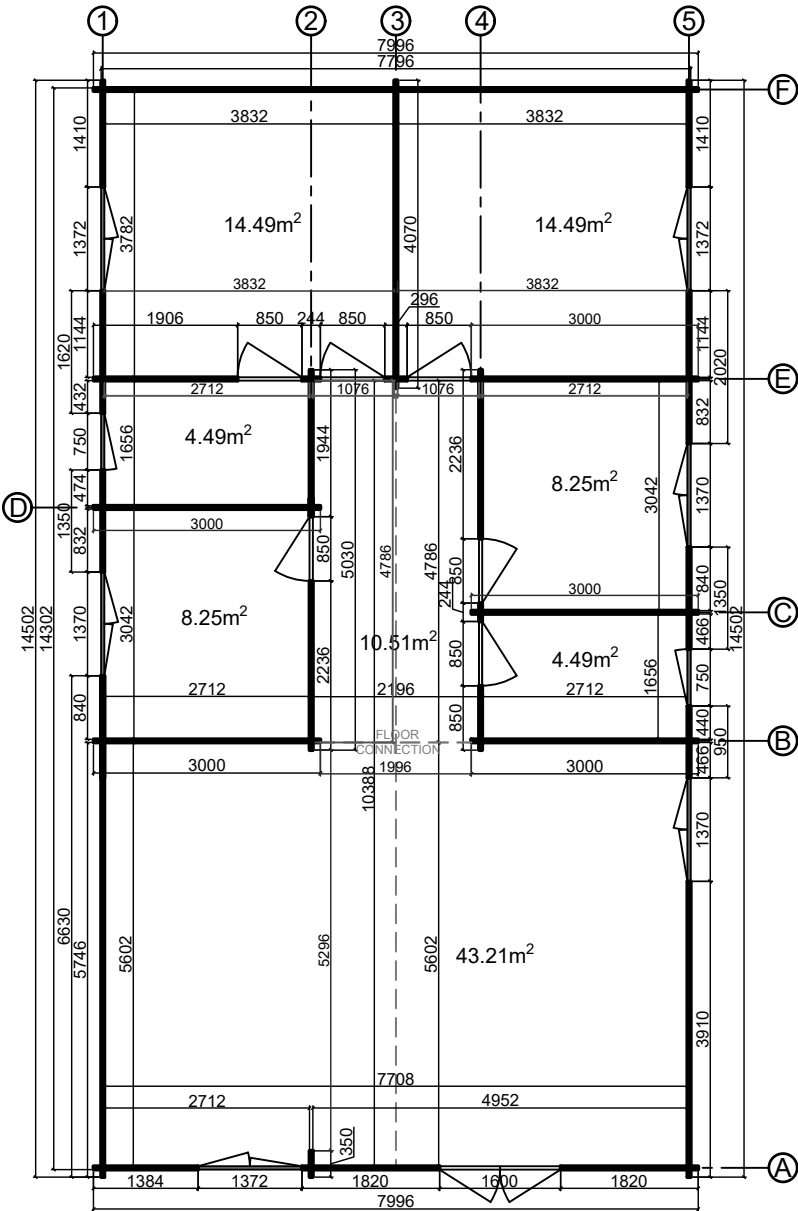
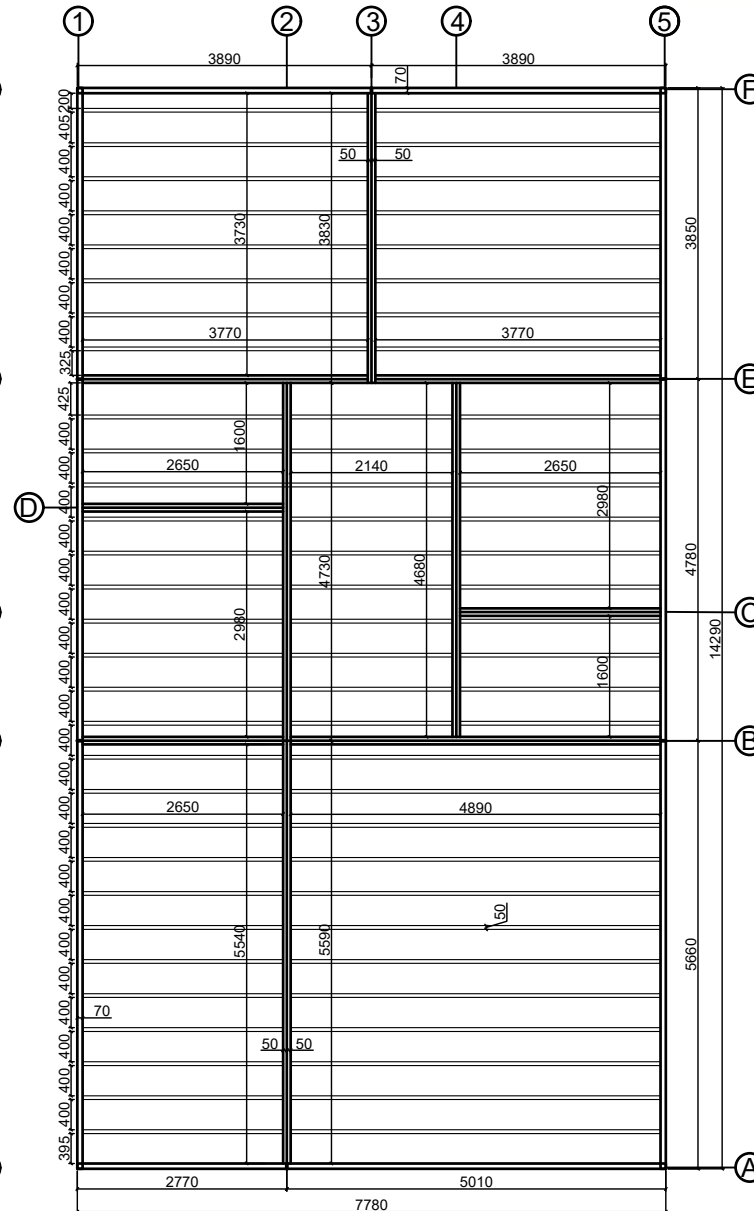






Floor plan



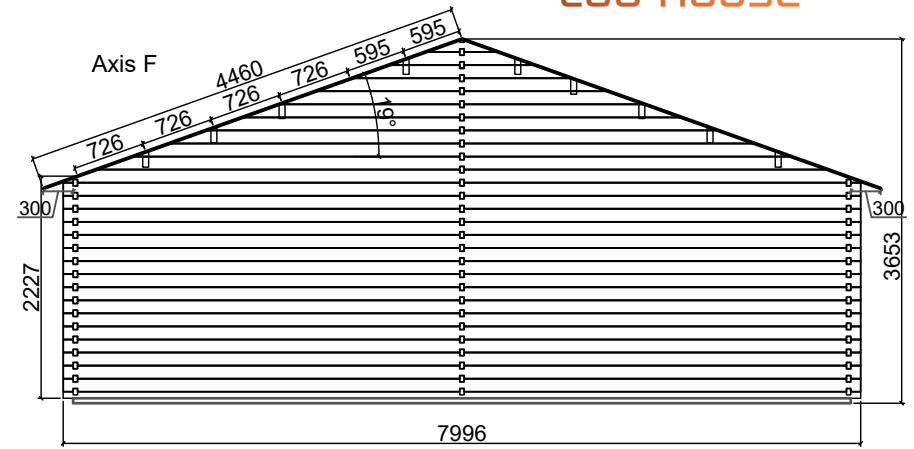
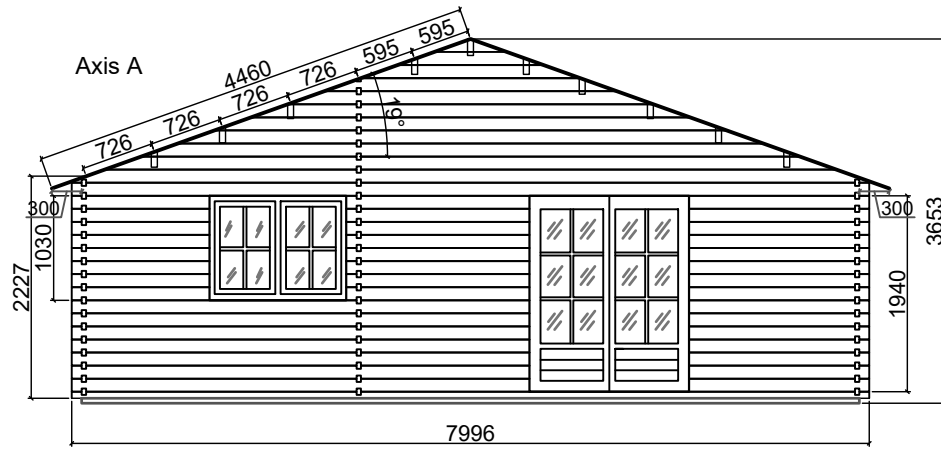
Base plan



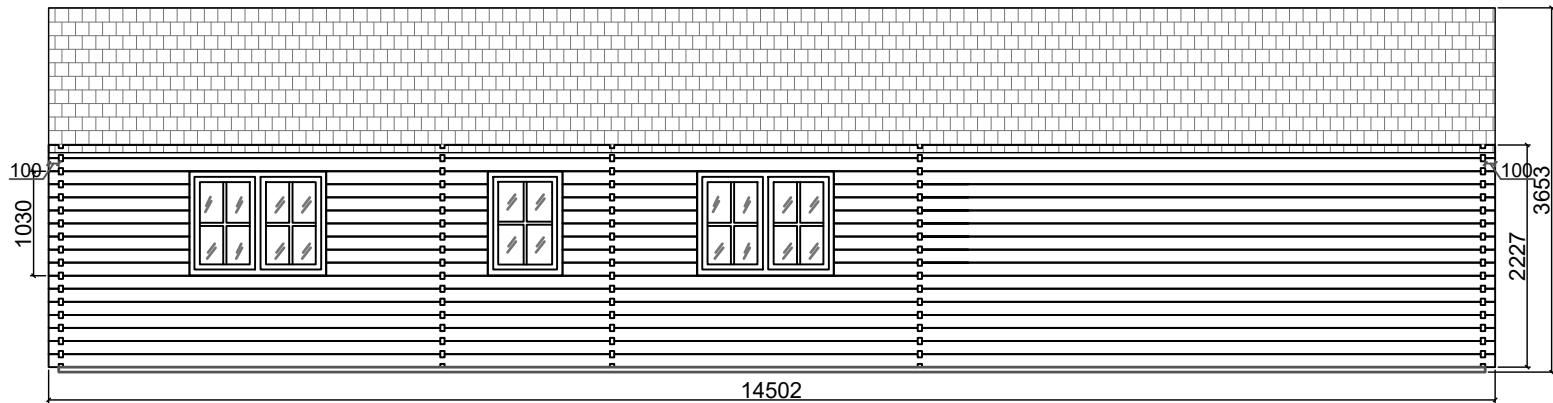
				
CODE	G3	G4	W3	W1
SIZE/mm	1600x1940	850x1940	1370x1030	750x1030
QUANTITY	1	6	6	2
LEFT/RIGHT	0/1	2/4	3/3	1/1

CABIN SPECIFICATION

WALL LOG: 44mm
 SIZE (m): 8x14.5
 SIDE WALL HEIGHT : 2227mm
 RIDGE HEIGHT: 3653 mm
 FLOOR AREA m²: 108.15
 ROOF AREA m²: 129.35
 FLOOR BOARDS mm: 19



Axis 1



Axis 5

