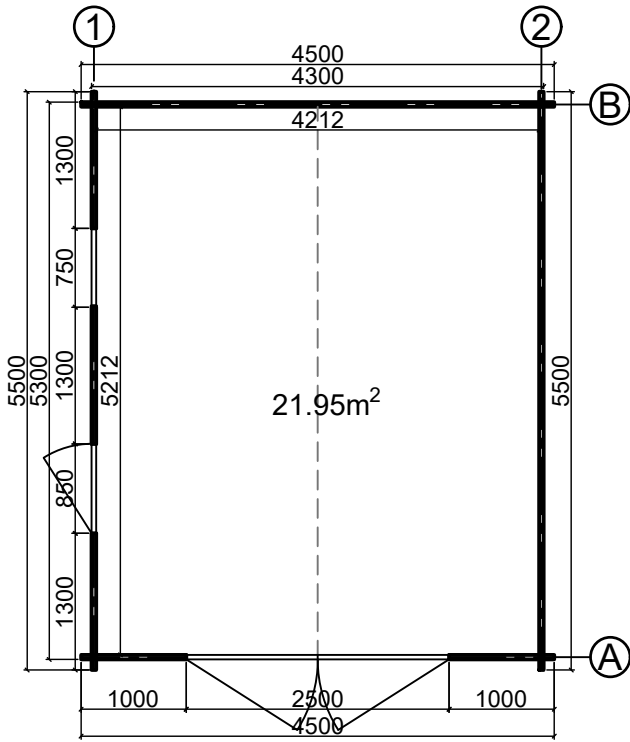
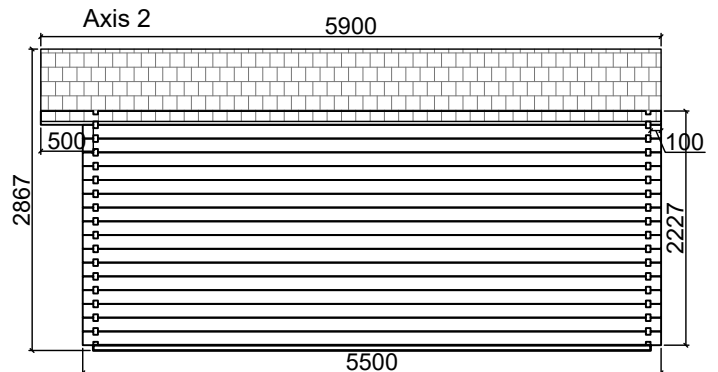
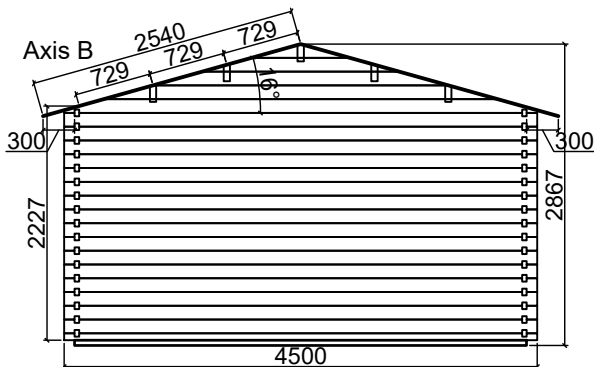
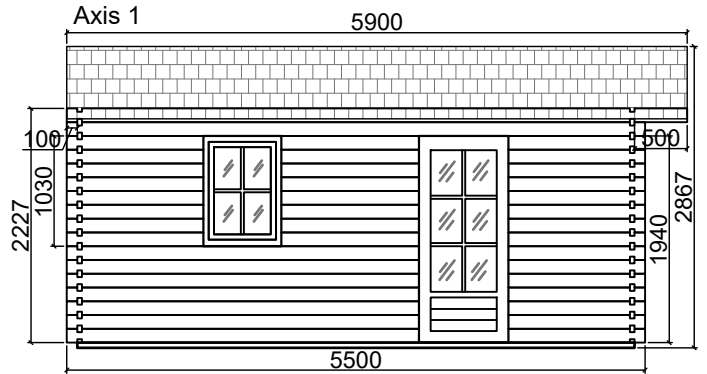
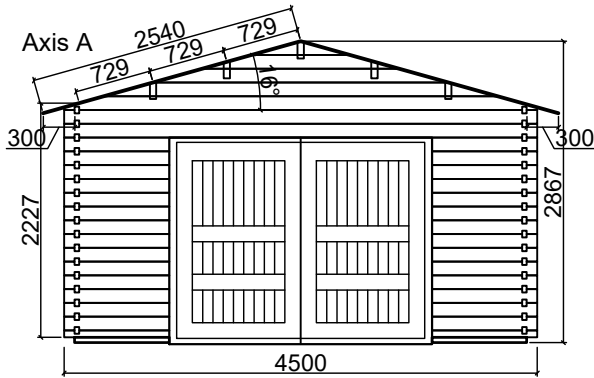
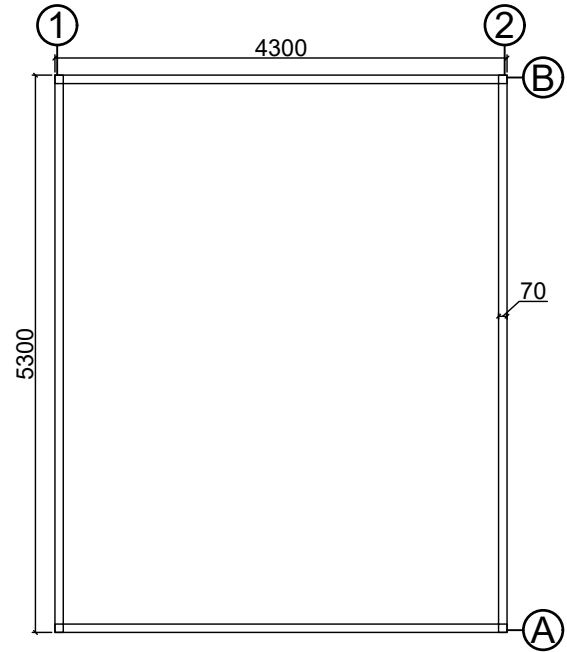
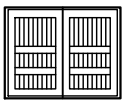




Floor plan



Base plan



			
CODE	G5	P1	W1
SIZE/mm	2500x1940	850x1940	750x1030
QUANTITY	1	1	1
LEFT/RIGHT	0/1	0/1	0/1

CABIN SPECIFICATION

WALL LOG: 44mm
 SIZE (m): 4.5x5.5
 SIDE WALL HEIGHT : 2227 mm
 RIDGE HEIGHT: 2867 mm
 FLOOR AREA m²: 21.95
 ROOF AREA m²: 29.97
 FLOOR BOARDS mm: No floor