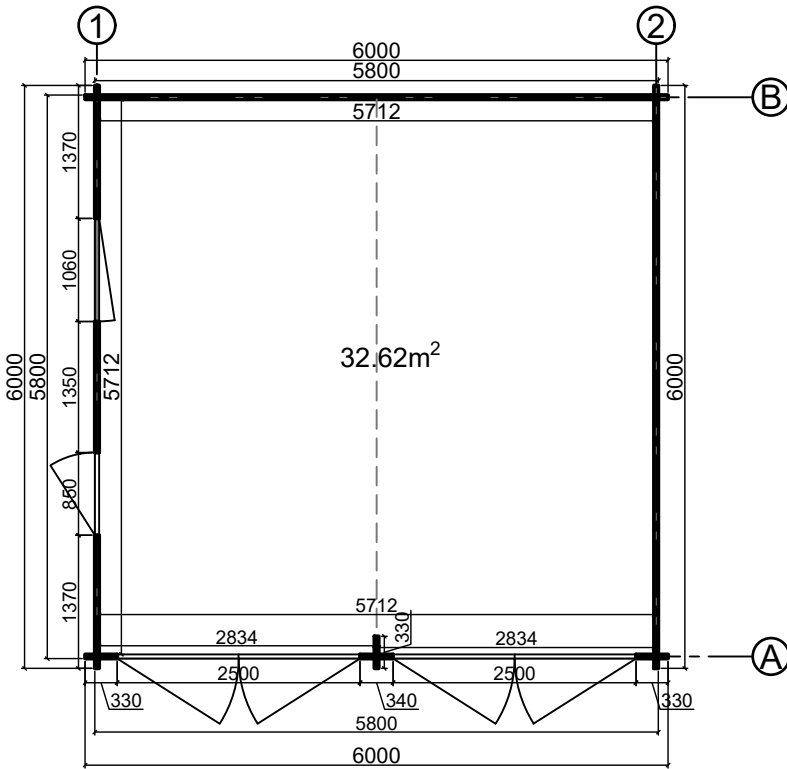
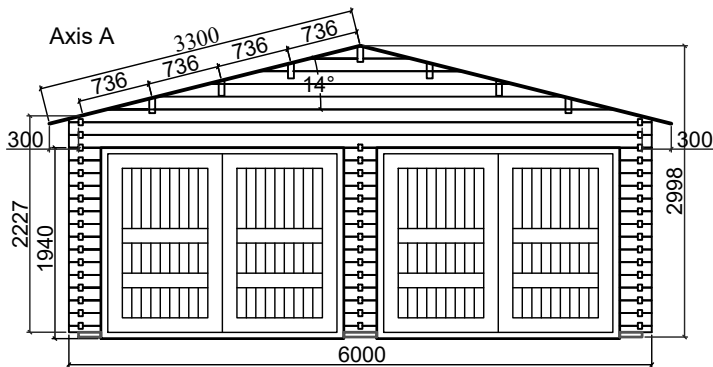
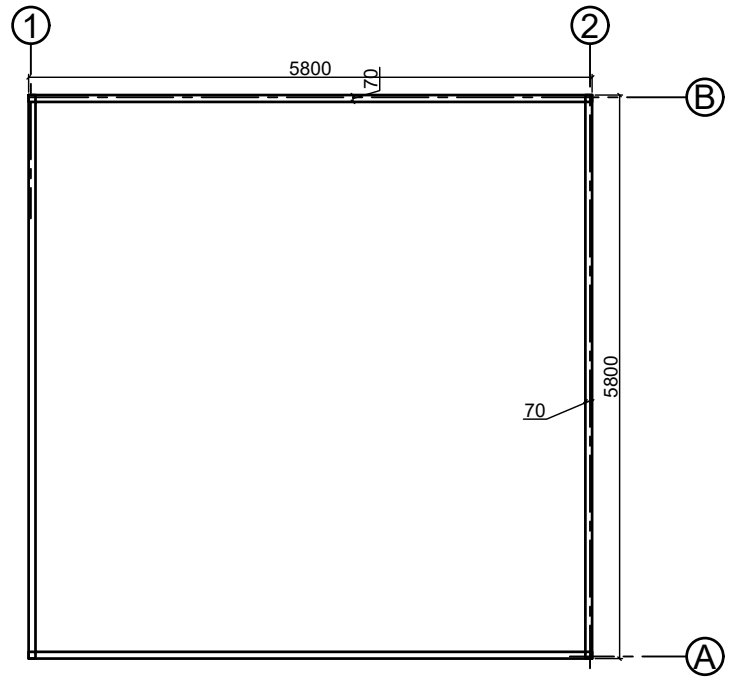


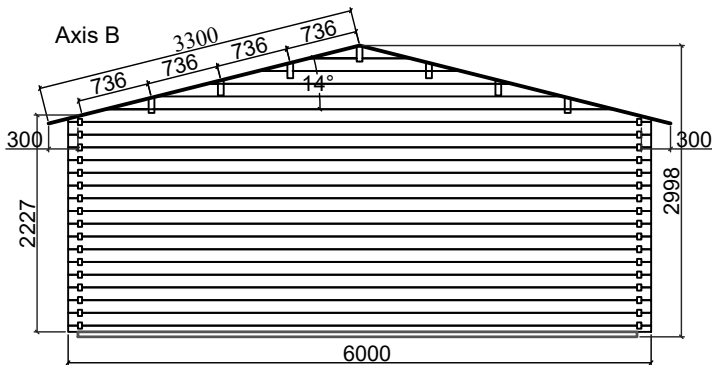
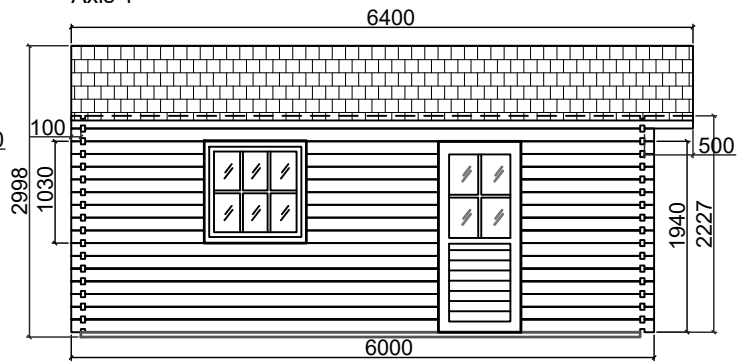
Floor plan



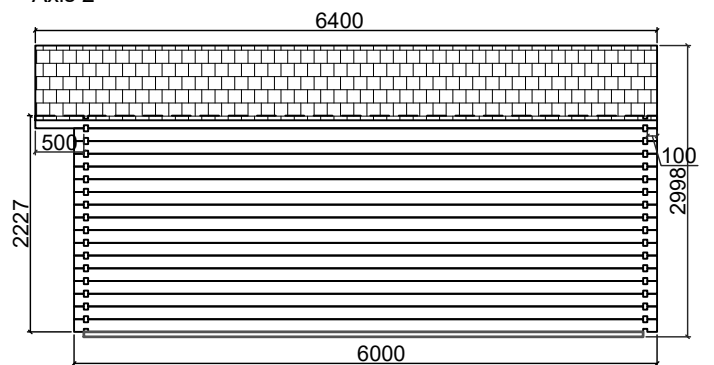
Base plan



Axis 1



Axis 2



CODE	G5	G1	W2
SIZE/mm	2500x1940	850x1940	1060x1030
QUANTITY	2	1	1
LEFT/RIGHT	0/2	0/1	0/1

CABIN SPECIFICATION

WALL LOG: 44mm
 SIZE (m): 6x6
 SIDE WALL HEIGHT : 2227 mm
 RIDGE HEIGHT: 2998 mm
 FLOOR AREA m²: 32.62
 ROOF AREA m²: 42.24
 FLOOR BOARDS mm: No floor