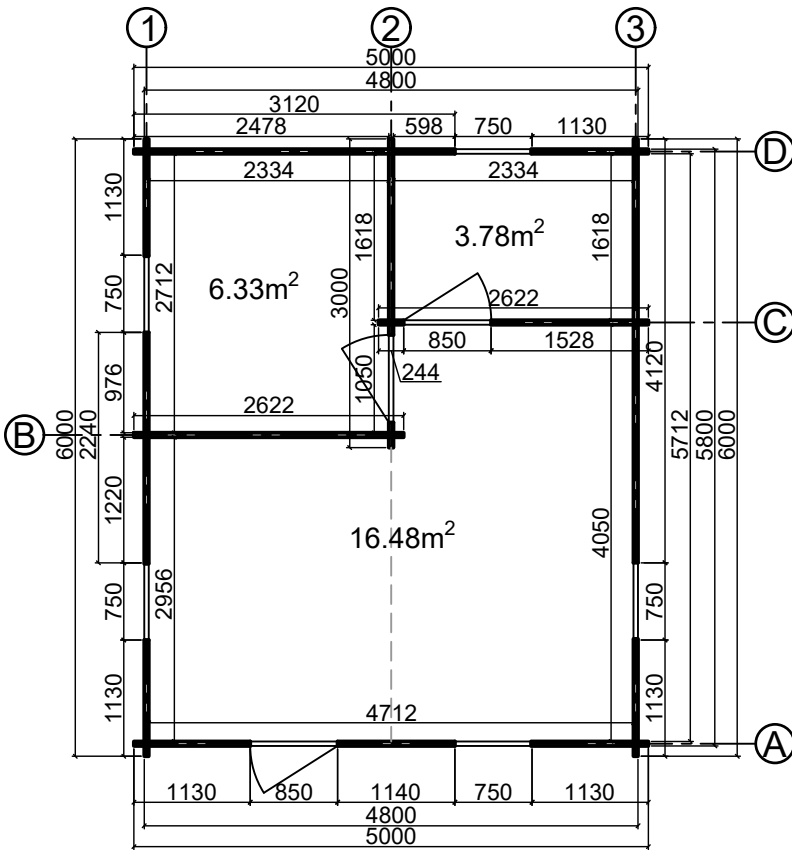
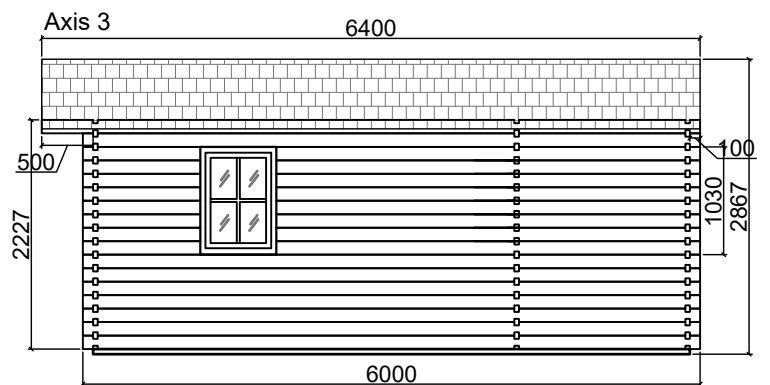
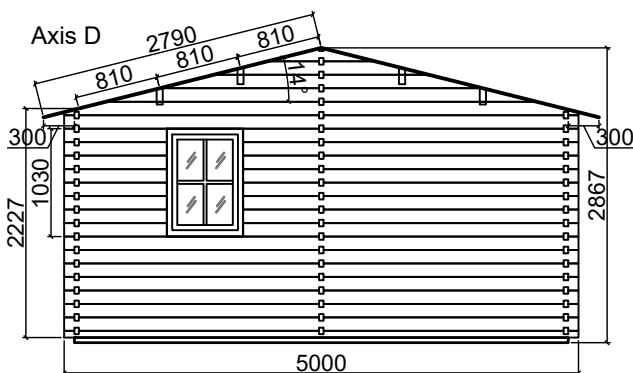
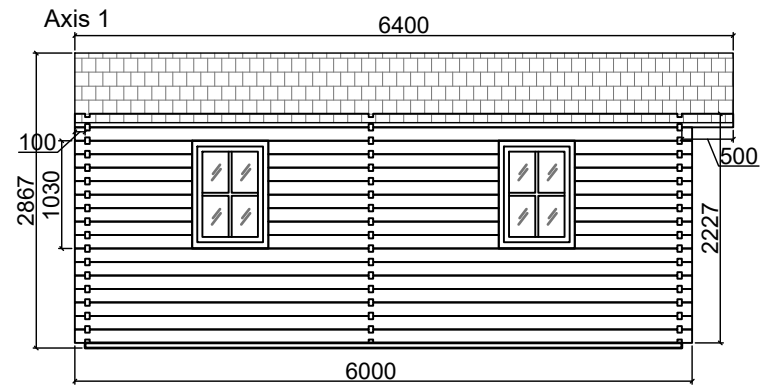
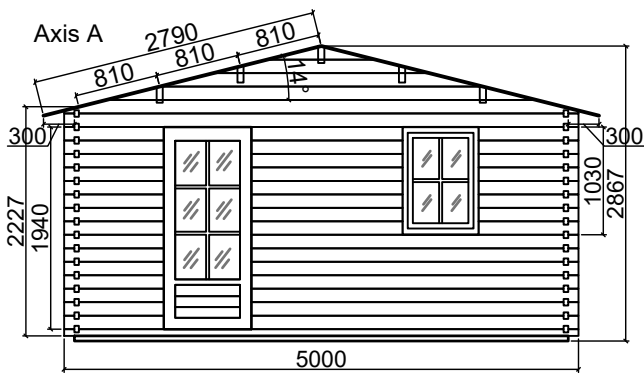
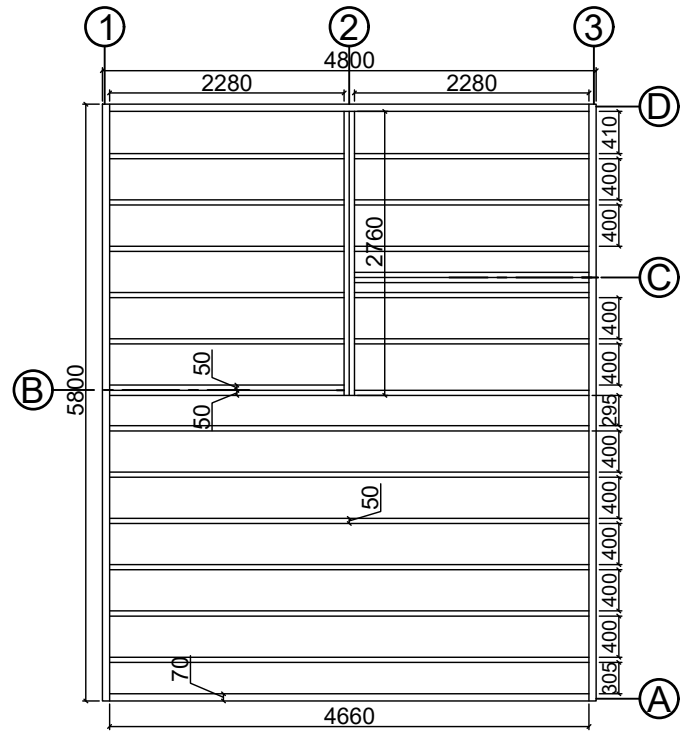


Floor plan



Base plan



CODE	<b>P1</b>	<b>G4</b>	<b>W1</b>
SIZE/mm	850x1940	850x1940	750x1030
QUANTITY	<b>1</b>	<b>2</b>	<b>5</b>
LEFT/RIGHT	<b>0/1</b>	<b>0/2</b>	<b>2/3</b>

**CABIN SPECIFICATION**

WALL LOG: 44mm  
 SIZE (m): 5x6  
 SIDE WALL HEIGHT : 2227 mm  
 RIDGE HEIGHT: 2867 mm  
 FLOOR AREA m<sup>2</sup>: 26.59  
 ROOF AREA m<sup>2</sup>: 35.71  
 FLOOR BOARDS mm: 19