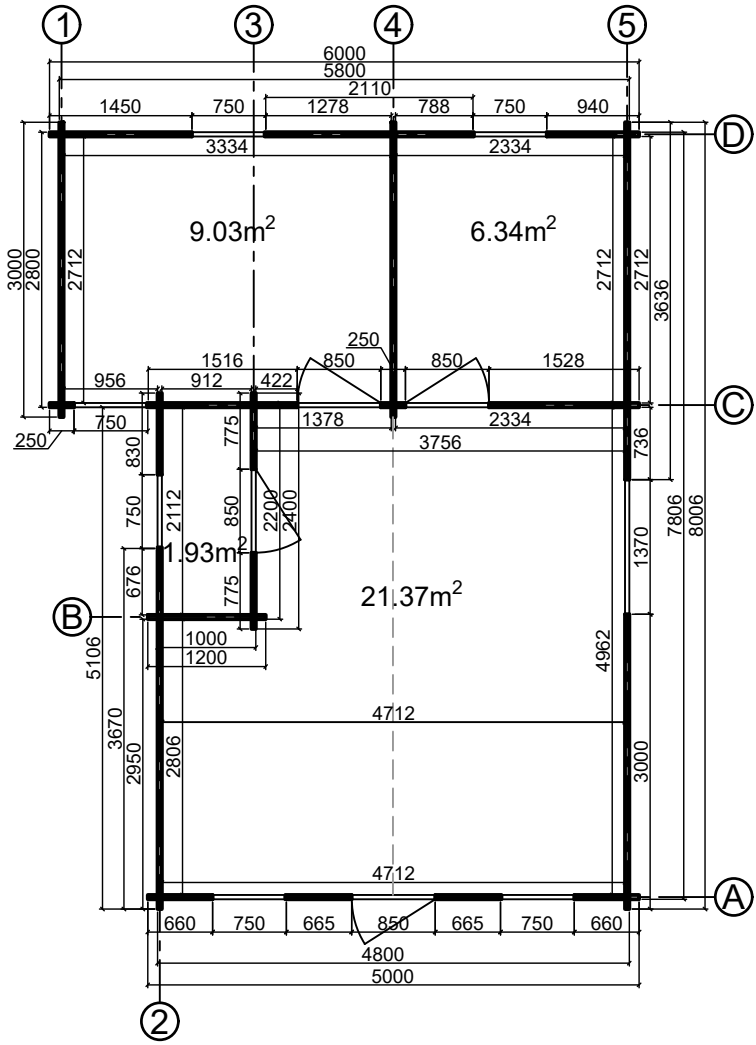
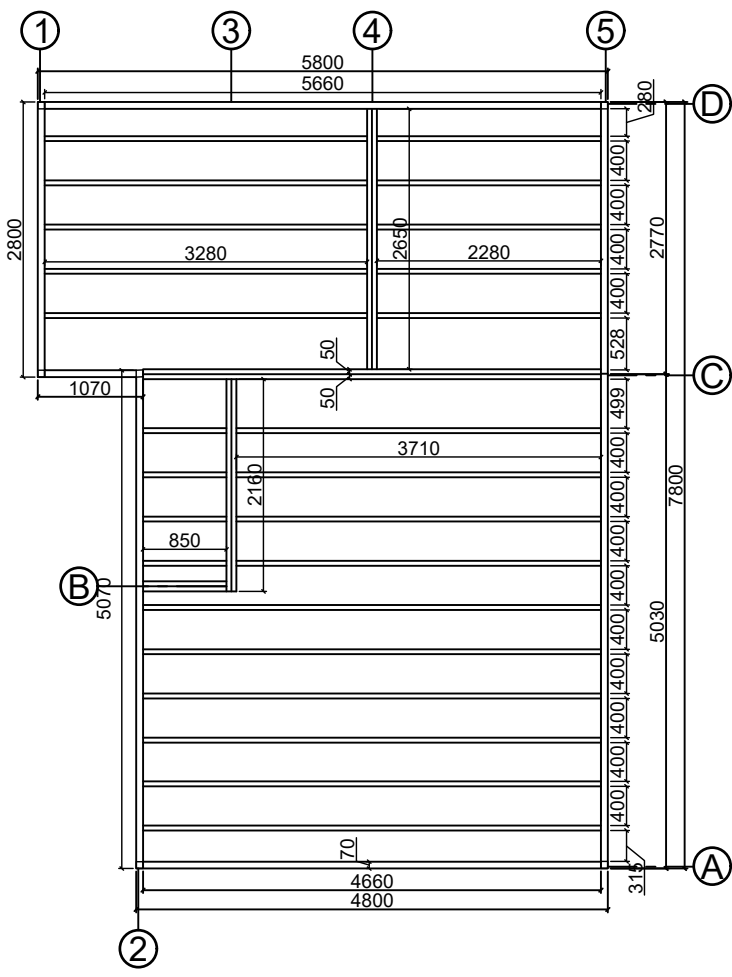


PREMIUM LOG HOUSE

Floor plan



Base plan



CODE	P1	G4	W3	W1
SIZE/mm	850x1940	850x1940	1370x1030	750x1030
QUANTITY	1	3	1	6
LEFT/RIGHT	1/1	1/2	0/1	3/3

CABIN SPECIFICATION

- WALL LOG: 44mm
- SIZE (m): 6x8
- SIDE WALL HEIGHT : 2358mm
- RIDGE HEIGHT: 2998 mm
- FLOOR AREA m²: 38.67
- ROOF AREA m²: 51.64
- FLOOR BOARDS mm: 19

PREMIUM LOG HOUSE

